

**WEIGHT**

Motor	Without brake	With brake
EX420	7 kg	8 kg
EX430	8 kg	9 kg

**BRAKE**

Supply voltage : 24V ±10%  
Static torque

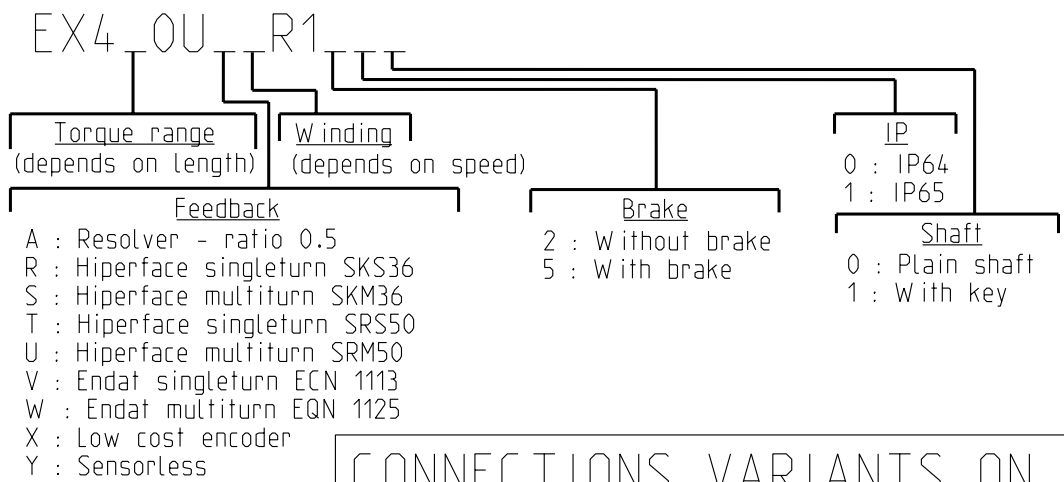
	EX420	EX430
20 °C	5.5 Nm	5.5 Nm
100 °C	4 Nm	4 Nm



Class 1, Division 1, Group C & D  
UL674 : Electric Motors and Generators  
for use in Division 1 Hazardous  
(classified) Locations.

**DIMENSIONS**

	Feedback option (feedback letter)	Resolver ratio 0.5 (A)	Low cost encoder (X)	Sensorless (Y)	Hiperface SKS36 (R)	Hiperface SKM36 (S)	Hiperface SRS50 (T)	Hiperface SRM50 (U)	Endat ECN 1113 (V)	Endat EQN 1125 (W)
EX420	Without brake L (mm)		275		290		310		310	
	With brake L (mm)		300		315		335		335	
EX430	Without brake L (mm)		300		315		335		335	
	With brake L (mm)		325		340		360		360	



CONNECTIONS VARIANTS ON SHEET 2/2

This document is the property of PARVEX. Transmission as well as reproduction or copy is not permitted without written authorisation.	General tolerances	Drawn	02/10/09	OD	Visa																
	DIN ISO 2768 mK	Modifications	C	AM 24574 08/07/16 SD																	
			B	AM 24229 03/12/13 AH																	
		A	AM 23321 18/01/10 OD																		

Scale 1:2

**Parker**  
8 Avenue du lac. BP249  
21007-DIJON cedex-FRANCE  
www.parvex.com

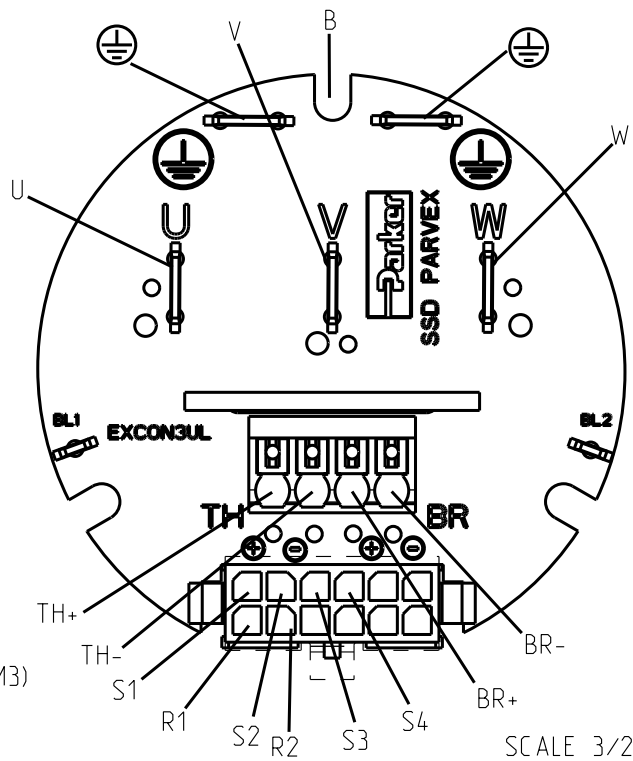
EX400U  
OUTLINE DRAWING

Format A3  
F E S G I  
x

344852

Resolver connection  
Feedback letter : A

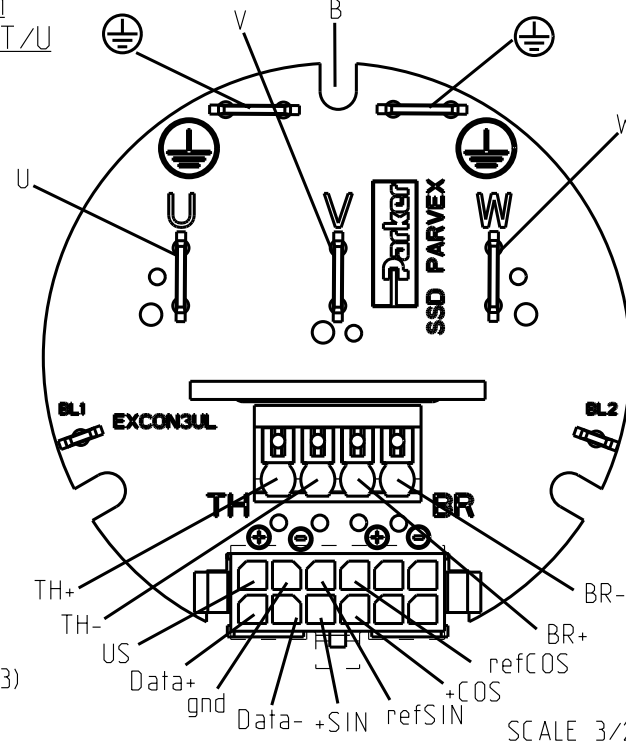
- U : Phase U
- V : Phase V
- W : Phase W
- TH- : Thermic protector
- TH+ : Thermic protector
- BR- : Brake- (option)
- BR+ : Brake+ (option)
- S1 : Resolver 1
- S2 : Resolver 2
- S3 : Resolver 3
- S4 : Resolver 4
- R1 : Resolver 7
- R2 : Resolver 8
- B : Shield option (screw M3)
- ⊕ : Ground



SCALE 3/2

Hiperface connection  
Feedback letter : R/S/T/U

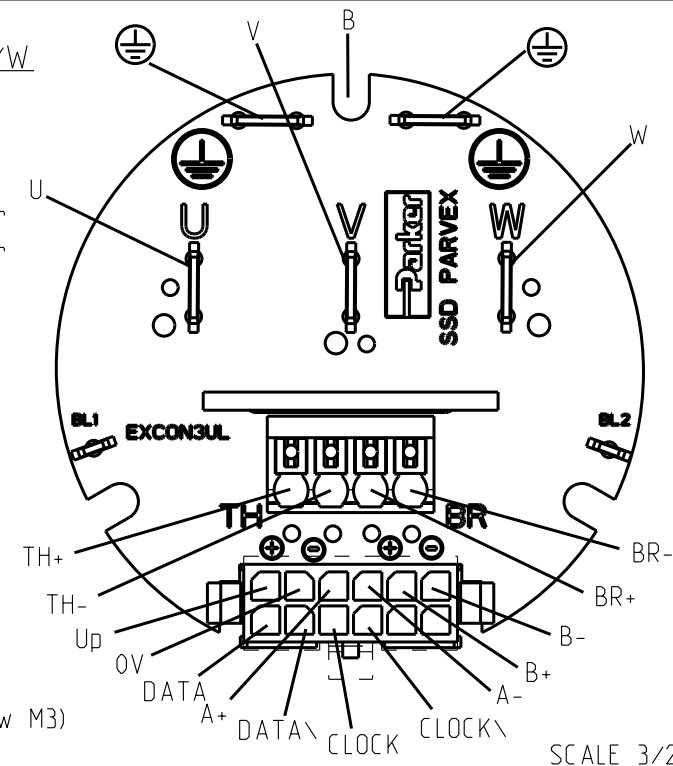
- U : Phase U
- V : Phase V
- W : Phase W
- TH- : Thermic protector
- TH+ : Thermic protector
- BR- : Brake- (option)
- BR+ : Brake+ (option)
- 1 : Encoder Us
- 2 : Encoder gnd
- 3 : Encoder refSIN
- 4 : Encoder refCOS
- 7 : Encoder Data+
- 8 : Encoder Data-
- 9 : Encoder +SIN
- 10 : Encoder +COS
- B : Shield option (screw M3)
- ⊕ : Ground



SCALE 3/2

Endat connection  
Feedback letter : V/W

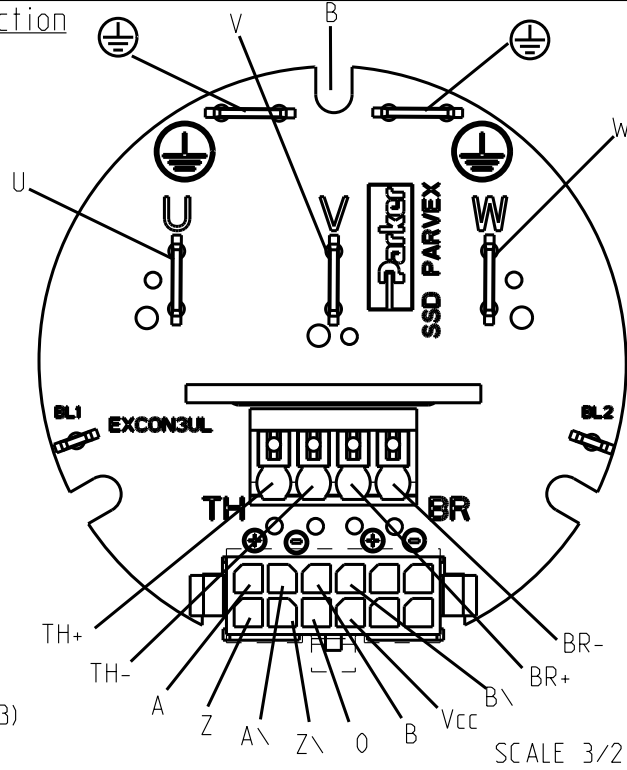
- U : Phase U
- V : Phase V
- W : Phase W
- TH- : Thermic protector
- TH+ : Thermic protector
- BR- : Brake- (option)
- BR+ : Brake+ (option)
- 1 : Encoder Up 5V ±5%
- 2 : Encoder 0V
- 3 : Encoder A+
- 4 : Encoder A-
- 5 : Encoder B+
- 6 : Encoder B-
- 7 : Encoder DATA
- 8 : Encoder DATA\
- 9 : Encoder CLOCK
- 10 : Encoder CLOCK\
- B : Shield option (screw M3)
- ⊕ : Ground



SCALE 3/2

Low cost encoder connection  
Feedback letter : X

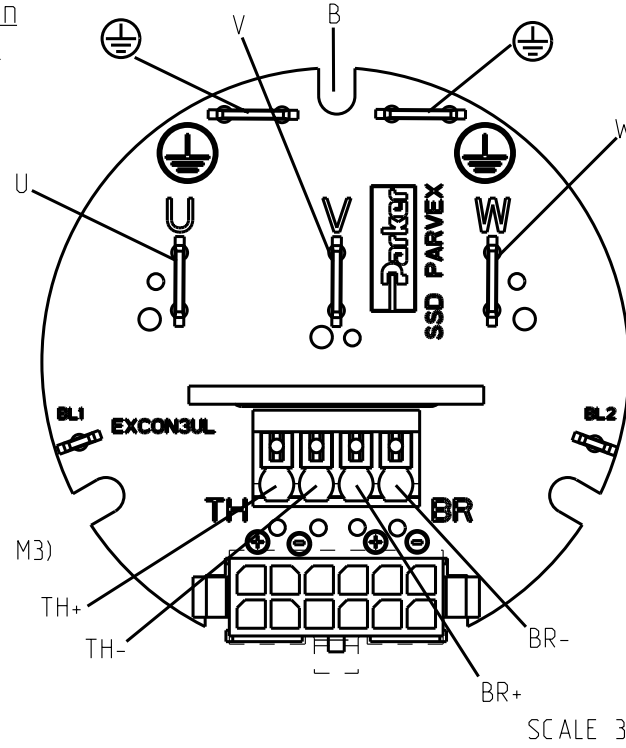
- U : Phase U
- V : Phase V
- W : Phase W
- TH- : Thermic protector
- TH+ : Thermic protector
- BR- : Brake- (option)
- BR+ : Brake+ (option)
- 1 : A
- 2 : A\
- 3 : B
- 4 : B\
- 7 : Z
- 8 : Z\
- 9 : 0
- 10 : Vcc
- B : Shield option (screw M3)
- ⊕ : Ground



SCALE 3/2

Sensorless connection  
Feedback letter : Y

- U : Phase U
- V : Phase V
- W : Phase W
- TH- : Thermic protector
- TH+ : Thermic protector
- BR- : Brake- (option)
- BR+ : Brake+ (option)
- B : Shield option (screw M3)
- ⊕ : Ground



SCALE 3/2



Class 1, Division 1, Group C & D  
UL674 : Electric Motors and Generators  
for use in Division 1 Hazardous  
(classified) Locations.

ENCODER SETTINGS

Resolver setting  
Feedback letter : A

Motor powered by direct current at the current nominal value (W+ and V-). the shift is 90° electrical

Hiperface SKS/SKM setting  
Feedback letter : R/S

Motor powered by direct current at the current nominal value (W+ and V-). Value in encoder memory is 205

Hiperface SRS/SRM setting  
Feedback letter : T/U

Motor powered by direct current at the current nominal value (W+ and V-). Value in encoder memory is 1638

Endat setting  
Feedback letter : V/W

Motor powered by direct current at the current nominal value (W+ and V-). Value in encoder memory is 410.

Low cost encoder setting  
Feedback letter : X

Engine driven clockwise shaft end side. Switching signal V is in phase with FEM UV.

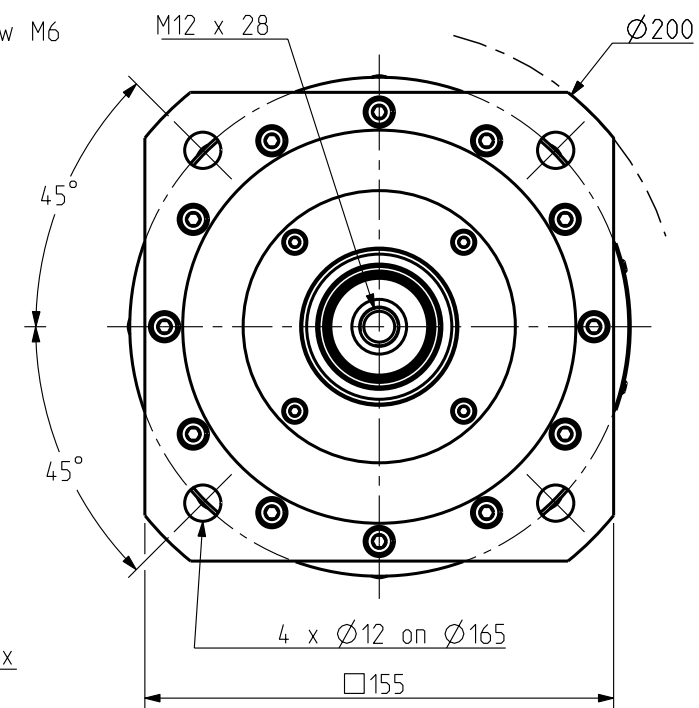
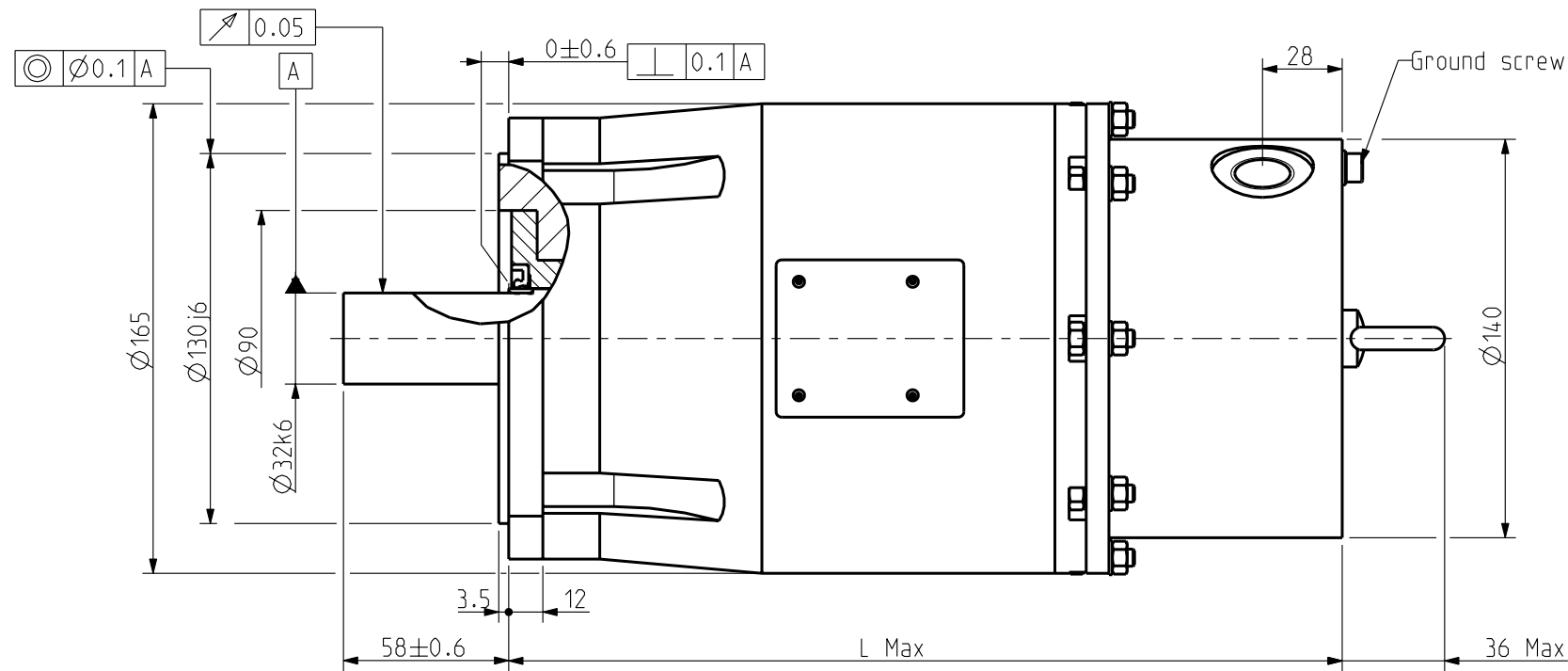
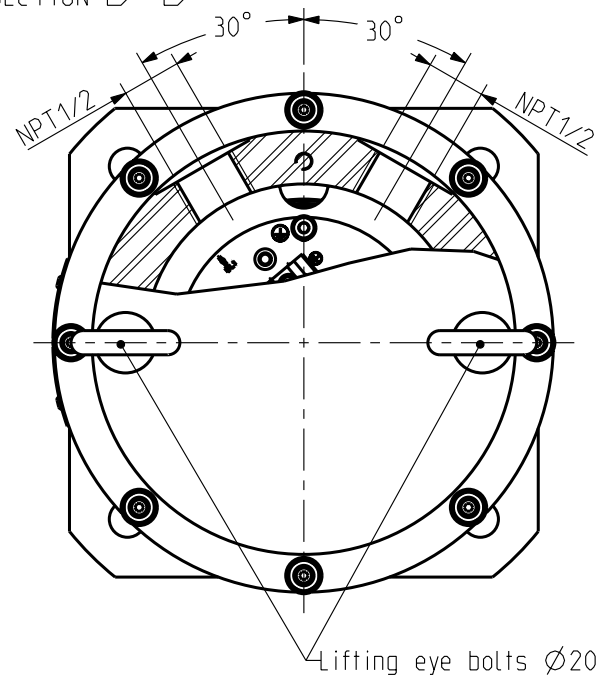
Sheet : 2 / 2

This document is the property of PARVEX. Transmission as well as reproduction or copy is not permitted without written authorisation.	General tolerances	Drawn	02/10/09	OD	Visa					Scale 1:2	 8 Avenue du lac. BP249 21007-DIJON cedex-FRANCE www.parvex.com	EX400U	Format	F	E	S	G	I		
	DIN ISO 2768 mK	Modifications	C	AM 24574 08/07/16 SD									A3	x						
		A	AM23321 - 18/01/10 OD													OUTLINE DRAWING	344852			

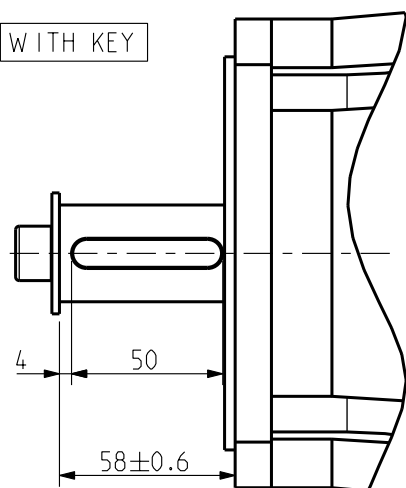




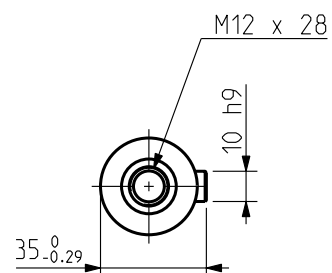
SECTION B-B



WITH KEY



SHAFT END



WEIGHT

Motor	Without brake	With brake
EX820	22 kg	25 kg
EX840	28 kg	31 kg
EX860	38 kg	41 kg

BRAKE

Supply voltage : 24V ±10%  
Static torque

	EX820	EX840	EX860
20 °C	36 N.m	36 N.m	36 N.m
100 °C	32 N.m	32 N.m	32 N.m

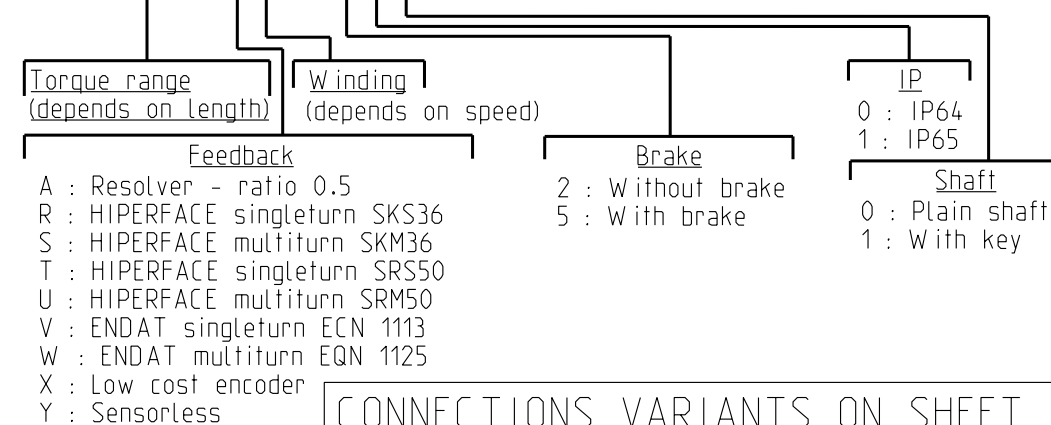


Class 1, Division 1, Group C & D  
UL674 : Electric Motors and Generators  
for use in Division 1 Hazardous  
(classified) Locations.

DIMENSIONS

	Feedback option (feedback letter)	Resolver ratio 0.5 (A)	Low cost encoder (X)	Sensorless (Y)	Hiperface SKS36 (R)	Hiperface SKM36 (S)	Hiperface SRS50 (T)	Hiperface SRM50 (U)	Endat ECN 1113 (V)	Endat EQN 1125 (W)
EX820	without brake L (mm)		295		310		330		335	
	with brake L (mm)		330		345		365		370	
EX840	without brake L (mm)		355		370		390		395	
	with brake L (mm)		390		405		425		430	
EX860	without brake L (mm)		415		430		450		455	
	with brake L (mm)		450		465		485		490	

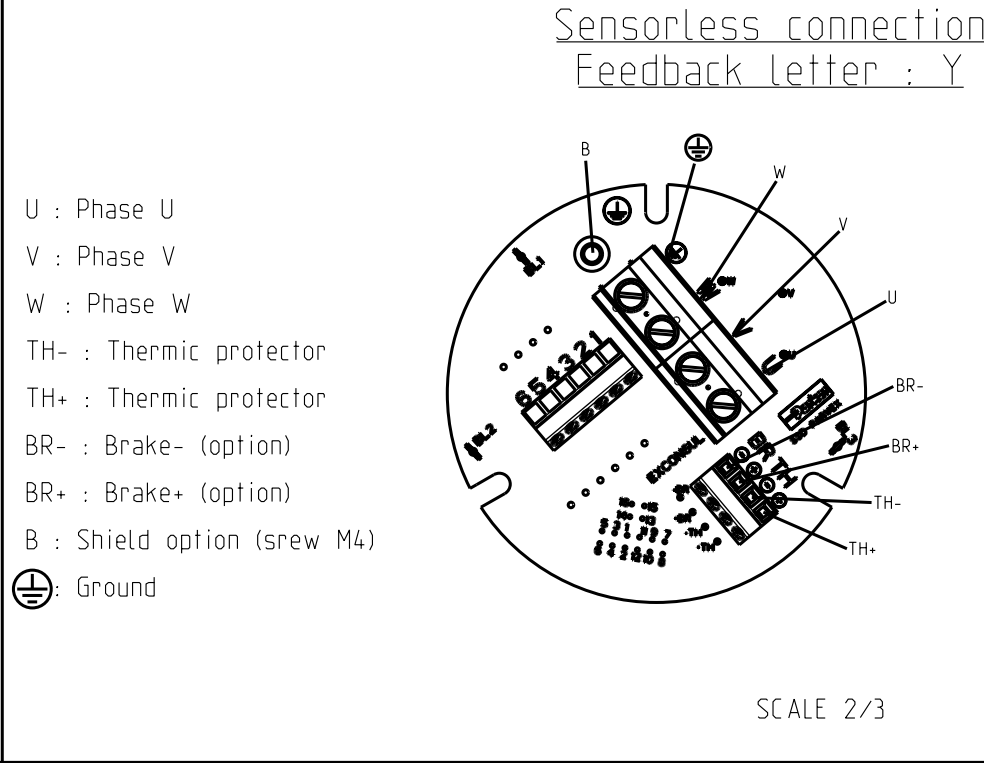
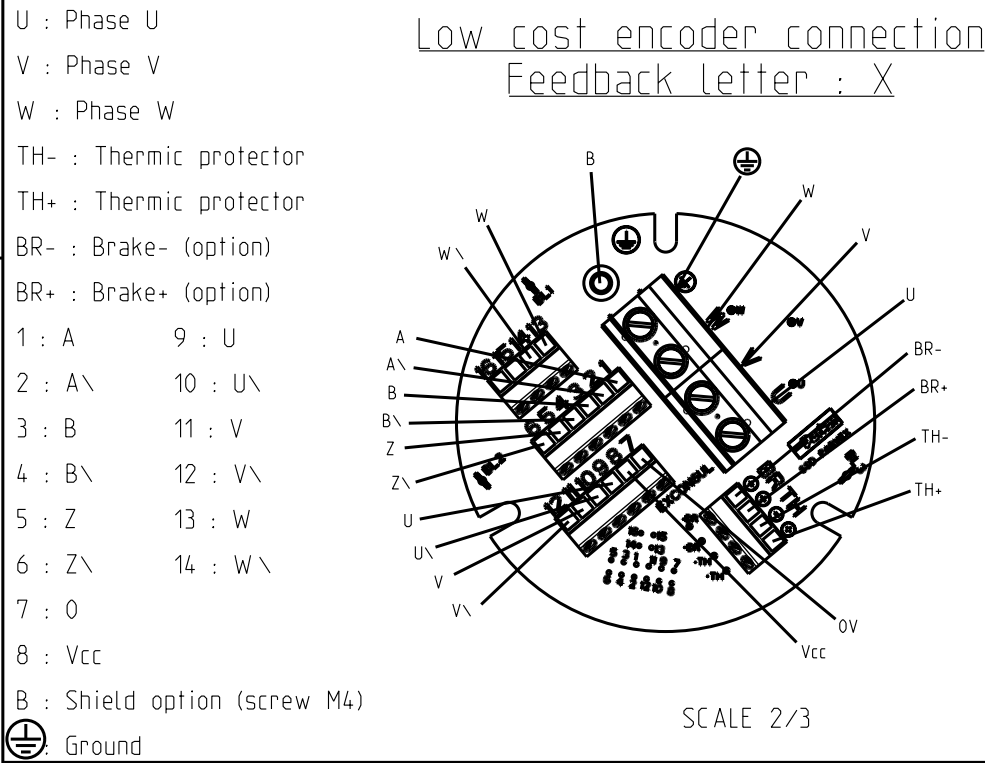
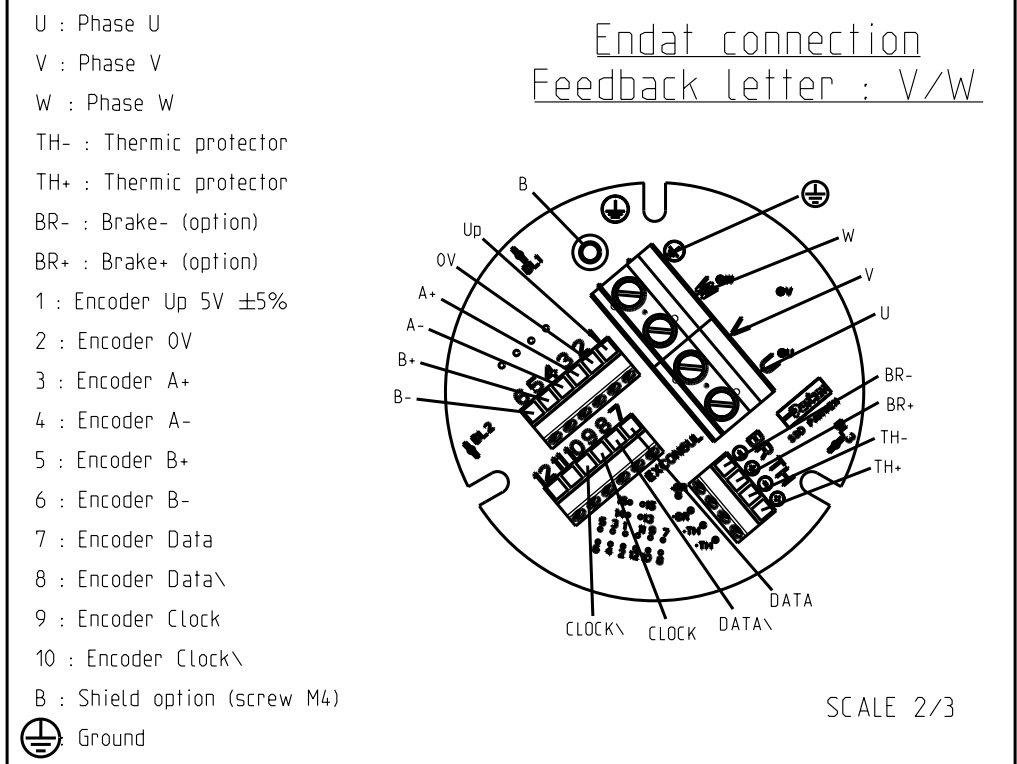
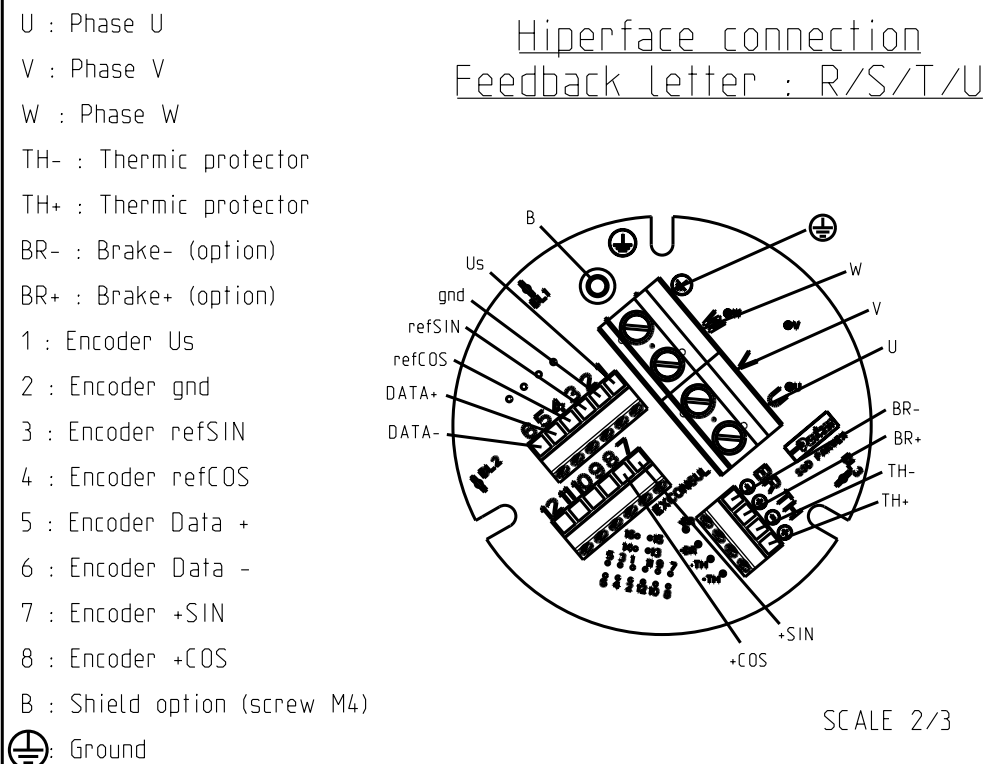
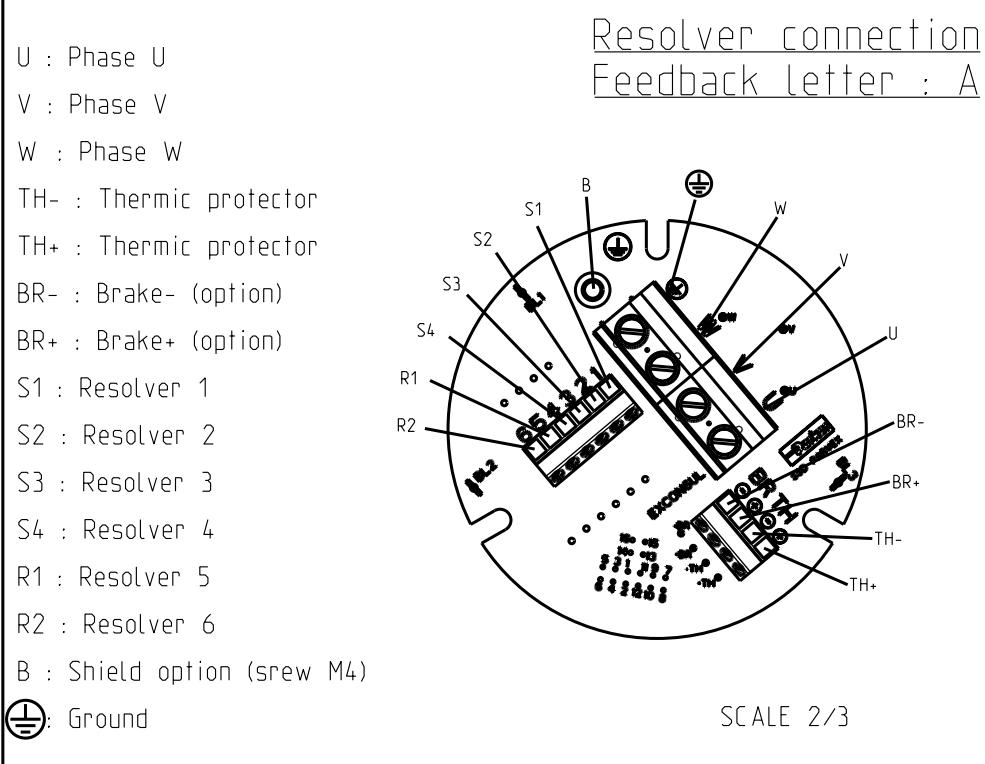
EX8 OU R1



CONNECTIONS VARIANTS ON SHEET 2/2

Sheet : 1/2

This document is the property of PARVEX.Transmission as well as reproduction or copy is not permitted without written authorisation.	General tolerances DIN ISO 2768 mK	Drawn 08/09/09 OD Visa Modifications A AM 24574 08/07/16 SD	Scale 2:5	 8 Avenue du lac. BP249 21007-DIJON cedex-FRANCE www.SSDrives.com	EX800U OUTLINE DRAWING	Format A3 F E S G I x	344854	A
---	---------------------------------------	---	--------------	--	---------------------------	-----------------------------	--------	---



Class 1, Division 1, Group C & D  
UL674 : Electric Motors and Generators  
for use in Division 1 Hazardous  
(classified) Locations.

ENCODER SETTINGS

Resolver setting  
Feedback letter : A  
Motor powered by direct current at the current nominal value (W+ and V-). the shift is 90° electrical

Hiperface SKS/SKM setting  
Feedback letter : R/S  
Motor powered by direct current at the current nominal value (W+ and V-). Value in encoder memory is 205

Hiperface SRS/SRM setting  
Feedback letter : T/U  
Motor powered by direct current at the current nominal value (W+ and V-). Value in encoder memory is 1638

Endat setting  
Feedback letter : V/W  
Motor powered by direct current at the current nominal value (W+ and V-). Value in encoder memory is 410.

Low cost encoder setting  
Feedback letter : X  
Engine driven clockwise shaft end side. Switching signal V is in phase with FEM UV.

This document is the property of PARVEX. Transmission as well as reproduction or copy is not permitted without written authorisation.

General tolerances  
DIN ISO 2768 mK

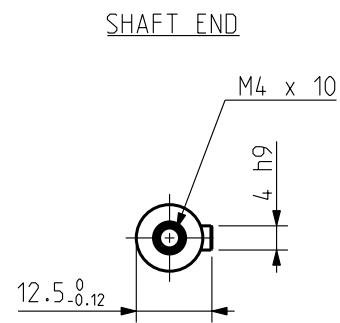
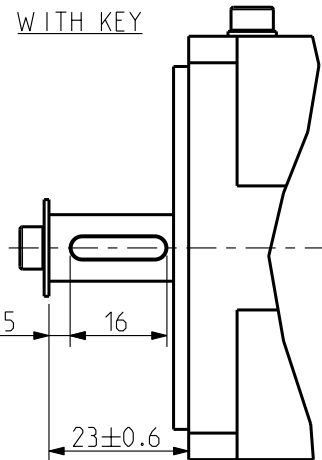
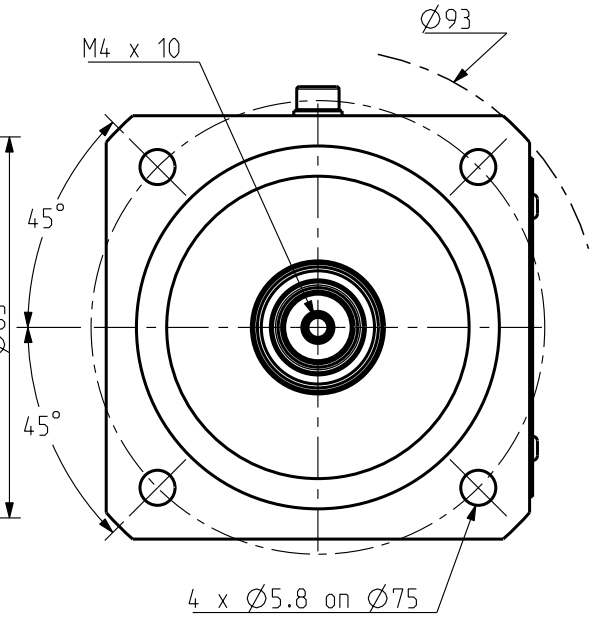
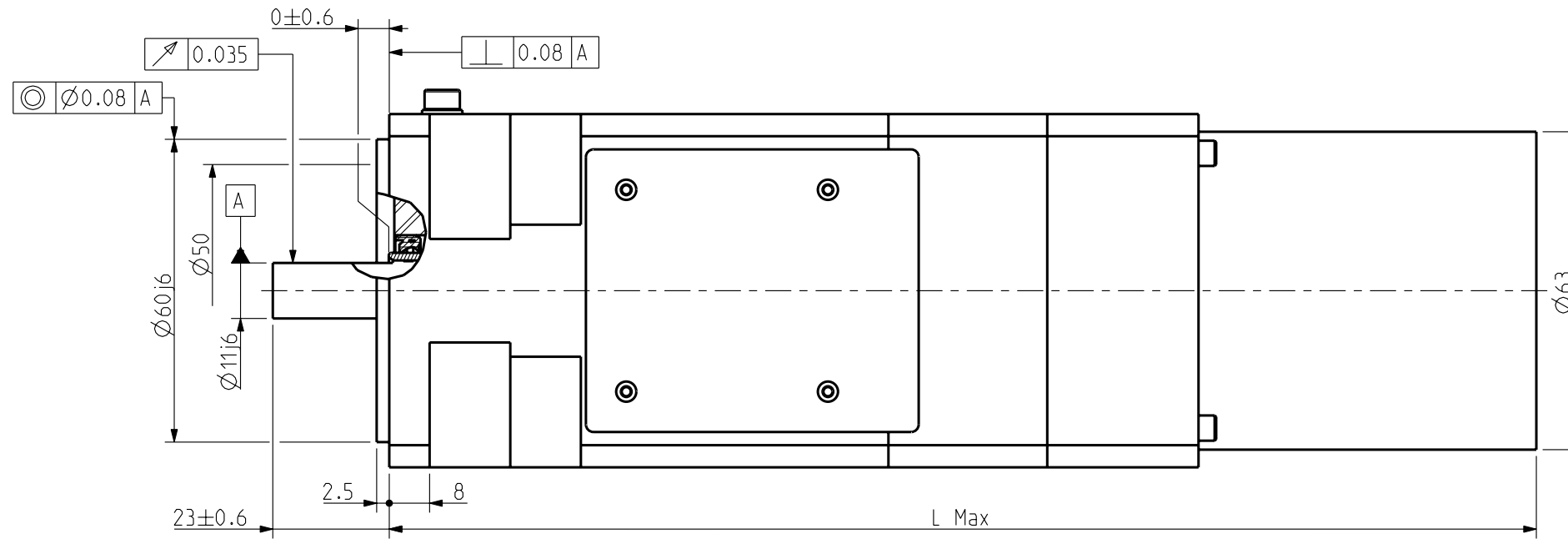
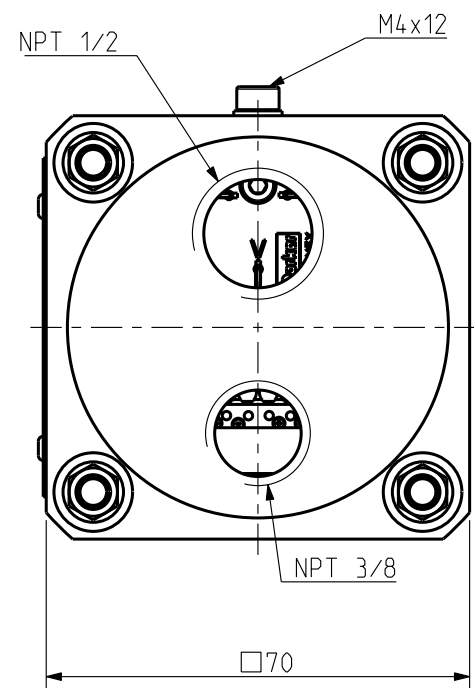
Drawn	08/09/09	OD	Visa					
Modifications								
A	AM 24574	08/07/16	SD					

Scale  
1/5



EX800U  
OUTLINE DRAWING

Format	F	E	S	G	I	
A3	x					
344854						A



**WEIGHT**

Without brake	With brake
2.8 kg	3.2 kg

**BRAKE**

Supply voltage : 24V ±10%  
Static torque

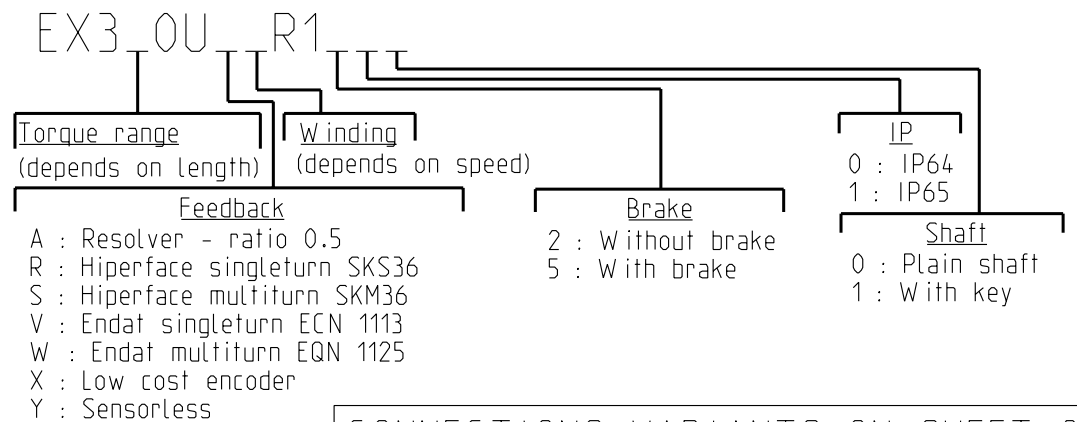
	EX310
20 °C	2 N.m
100 °C	1.8 N.m



Class 1, Division 1, Group C & D  
UL674 : Electric Motors and Generators  
for use in Division 1 Hazardous  
(classified) Locations.

**DIMENSIONS**

EX310	Feedback option (feedback letter)		Resolver ratio 0.5 (A)	Low cost resolver (X)	Sensorless (Y)	Hiperface SKS36 (R)	Hiperface SKM36 (S)	Endat ECN 1113 (V)	Endat EQN 1125 (W)
	without brake	with brake	L (mm)						
					230			240	
					260			270	



CONNECTIONS VARIANTS ON SHEET 2/2

Sheet : 1/2

This document is the property of PARVEX. Transmission as well as reproduction or copy is not permitted without written authorisation.	General tolerances	Drawn	07/09/09	OD	Visa														
	DIN ISO 2768 mK	Modifications	B	AM 24574 08/07/16 SD															
		A	AM23321 - 18/01/10 OD																

Scale: 4:5

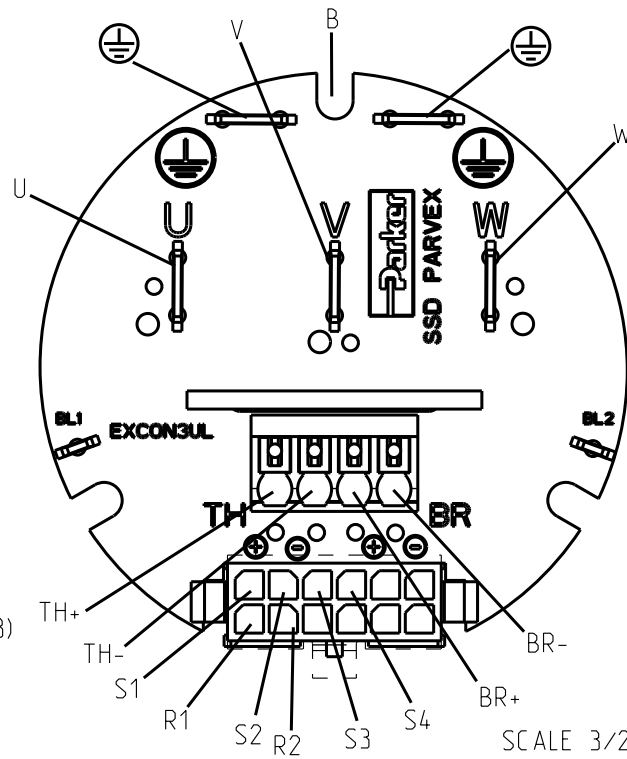
8 Avenue du lac. BP249  
21007-DIJON cedex-FRANCE  
www.SSDdrives.com

EX300U  
OUTLINE DRAWING

Format	F	E	S	G	I
A3	x				
344939					
B					

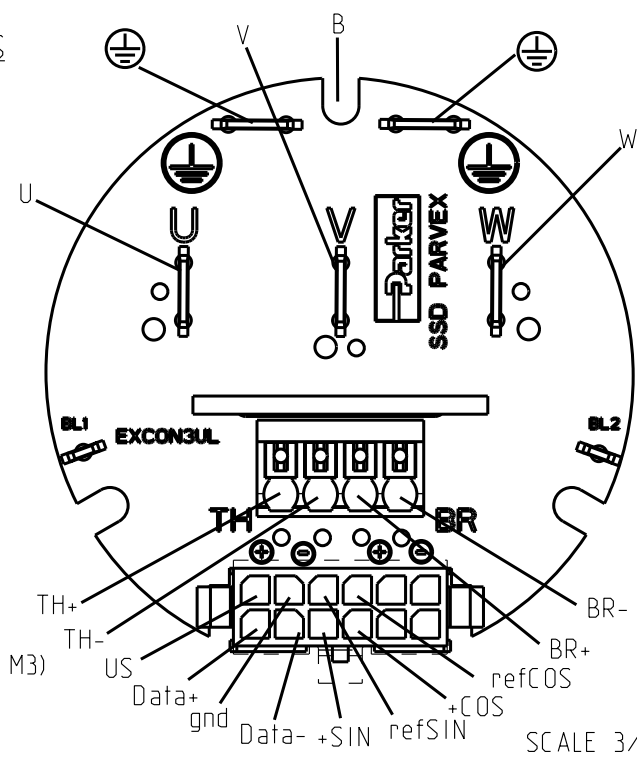
Resolver connection  
Feedback letter : A

- U : Phase U
- V : Phase V
- W : Phase W
- TH- : Thermic protector
- TH+ : Thermic protector
- BR- : Brake- (option)
- BR+ : Brake+ (option)
- S1 : Resolver 1
- S2 : Resolver 2
- S3 : Resolver 3
- S4 : Resolver 4
- R1 : Resolver 7
- R2 : Resolver 8
- B : Shield option (screw M3)
- ⊕ : Ground



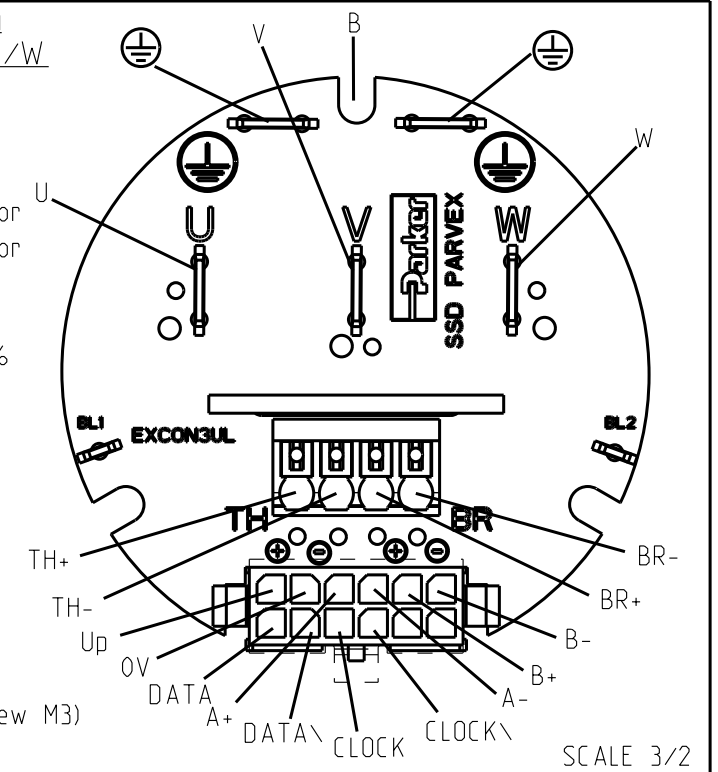
Hiperface connection  
Feedback letter : R/S

- U : Phase U
- V : Phase V
- W : Phase W
- TH- : Thermic protector
- TH+ : Thermic protector
- BR- : Brake- (option)
- BR+ : Brake+ (option)
- 1 : Encoder Us
- 2 : Encoder gnd
- 3 : Encoder refSIN
- 4 : Encoder refCOS
- 7 : Encoder Data +
- 8 : Encoder Data -
- 9 : Encoder +SIN
- 10 : Encoder +COS
- B : Shield option (screw M3)
- ⊕ : Ground



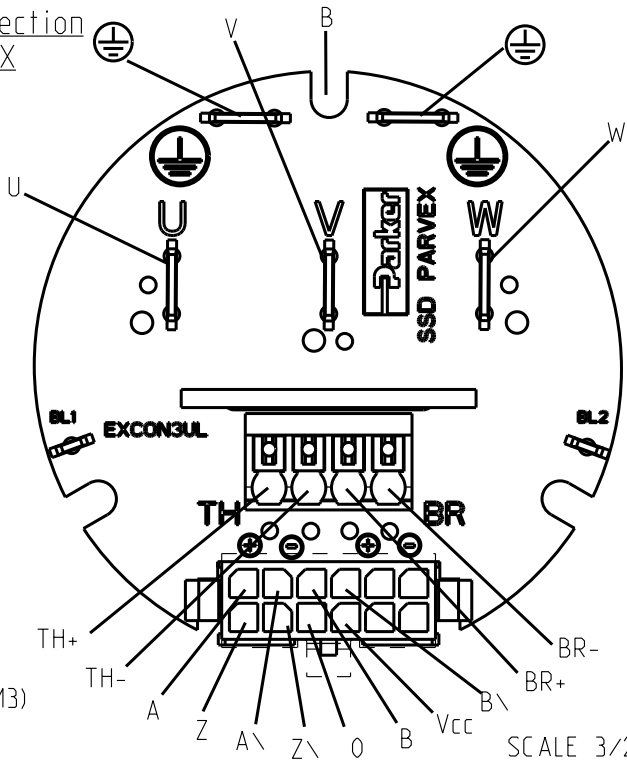
Endat connection  
Feedback letter : V/W

- U : Phase U
- V : Phase V
- W : Phase W
- TH- : Thermic protector
- TH+ : Thermic protector
- BR- : Brake- (option)
- BR+ : Brake+ (option)
- 1 : Encoder Up 5V ±5%
- 2 : Encoder 0V
- 3 : Encoder A+
- 4 : Encoder A-
- 5 : Encoder B+
- 6 : Encoder B-
- 7 : Encoder DATA
- 8 : Encoder DATA\
- 9 : Encoder CLOCK
- 10 : Encoder CLOCK\
- B : Shield option (screw M3)
- ⊕ : Ground



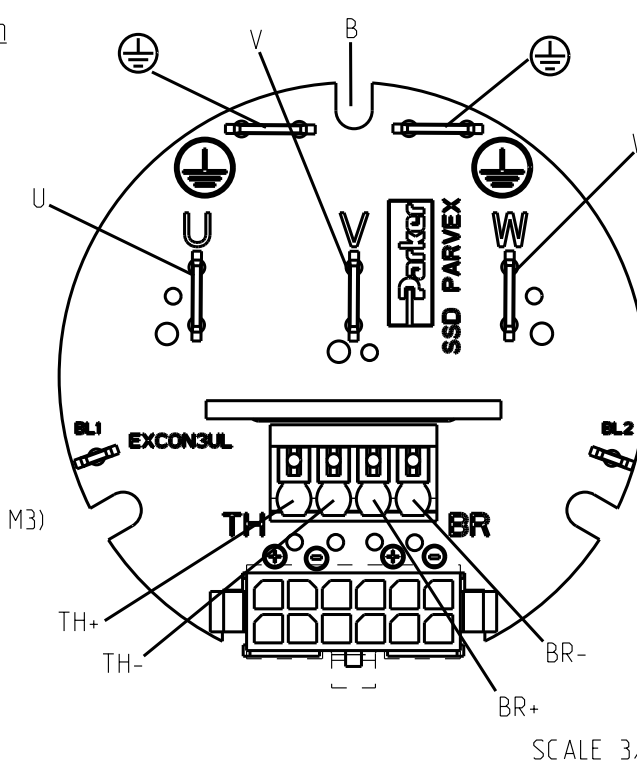
Low cost encoder connection  
Feedback letter : X

- U : Phase U
- V : Phase V
- W : Phase W
- TH- : Thermic protector
- TH+ : Thermic protector
- BR- : Brake- (option)
- BR+ : Brake+ (option)
- 1 : A
- 2 : A\
- 3 : B
- 4 : B\
- 7 : Z
- 8 : Z\
- 9 : 0
- 10 : Vcc
- B : Shield option (screw M3)
- ⊕ : Ground



Sensorless connection  
Feedback letter : Y

- U : Phase U
- V : Phase V
- W : Phase W
- TH- : Thermic protector
- TH+ : Thermic protector
- BR- : Brake- (option)
- BR+ : Brake+ (option)
- B : Shield option (screw M3)
- ⊕ : Ground



Class 1, Division 1, Group C & D  
UL674 : Electric Motors and Generators  
for use in Division 1 Hazardous  
(classified) Locations.

ENCODER SETTINGS

Resolver setting  
Feedback letter : A

Motor powered by direct current at the current nominal value (W+ and V-). the shift is 90° electrical

Hiperface SKS/SKM setting  
Feedback letter : R/S

Motor powered by direct current at the current nominal value (W+ and V-). Value in encoder memory is 205

Endat setting  
Feedback letter : V/W

Motor powered by direct current at the current nominal value (W+ and V-). Value in encoder memory is 410.

Low cost encoder setting  
Feedback letter : X

Engine driven clockwise shaft end side. Switching signal V is in phase with FEM UV.

General tolerances	Drawn	07/09/09	OD	Visa		Scale 4:5	 8 Avenue du Lac. BP249 21007-DIJON cedex-FRANCE www.SSDdrives.com	EX300U	Format	F	E	S	G	I	344939	B
	Modifications	B	AM 24574 08/07/16 SD						A3	x						
This document is the property of PARVEX. Transmission as well as reproduction or copy is not permitted without written authorisation.	DIN ISO 2768 mK	A	AM23321 - 18/01/10 OD					OUTLINE DRAWING								