



aerospace
climate control
electromechanical
filtration
fluid & gas handling
hydraulics
pneumatics
process control
sealing & shielding



高速伺服电机

杭州摩森机电科技有限公司
自动化系统集成
地址：杭州市滨江区聚园路8号创海基地D503室
电话：0517-86622450
传真：0571-86625450
网站：www.hzmosen.com



ENGINEERING YOUR SUCCESS.

概述.....	5
图纸.....	6
驱动器相关	7
尺寸图.....	9
订购编码	10

Parker Hannifin

- the global leader in motion and control technologies

A world class player on a local stage

Global Product Design

Parker Hannifin has more than 40 years experience in the design and manufacturing of drives, controls, motors and mechanical products. With dedicated global product development teams, Parker draws on industry-leading technological leadership and experience from engineering teams in Europe, North America and Asia.

Local Application Expertise

Parker has local engineering resources committed to adapting and applying our current products and technologies to best fit our customers' needs.

Manufacturing to Meet Our Customers' Needs

Parker is committed to meeting the increasing service demands that our customers require to succeed in the global industrial market. Parker's manufacturing teams seek continuous improvement through the implementation of lean manufacturing methods throughout the process. We measure ourselves on meeting our customers' expectations of quality and delivery, not just our own. In order to meet these expectations, Parker operates and continues to invest in our manufacturing facilities in Europe, North America and Asia.

Worldwide Manufacturing Locations

Europe

Littlehampton, United Kingdom
Dijon, France
Offenburg, Germany
Milan, Italy

Asia

Shanghai, China
Chennai, India

North America

Rohnert Park, California
Irwin, Pennsylvania
Wadsworth, Ohio
Charlotte, North Carolina
New Ulm, Minnesota



Offenburg, Germany

Local Manufacturing and Support in Europe

Parker provides sales assistance and local technical support through a network of dedicated sales teams and authorized technical distributors throughout Europe.

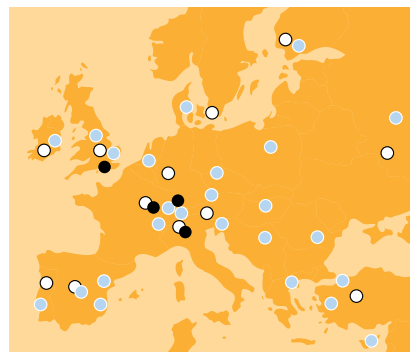
For contact information, please refer to the Sales Offices on the back cover of this document or visit www.parker.com



Milan, Italy



Littlehampton, UK



- Manufacturing
- Parker Sales Offices
- Distributors



Dijon, France

MGV高速电机

概述

Parker派克大功率高转速伺服电机MGV系列为新型直接驱动的方案，特别针对高速低惯量要求的应用。它是永磁无刷伺服电机，内置了水冷系统，比传统的散热方式更加有效。

MGV电机优势：

高转速，45000转

低惯量，高加速/减速

额定转速下恒扭矩输出

水冷处理，可实现高功率密度，低噪音

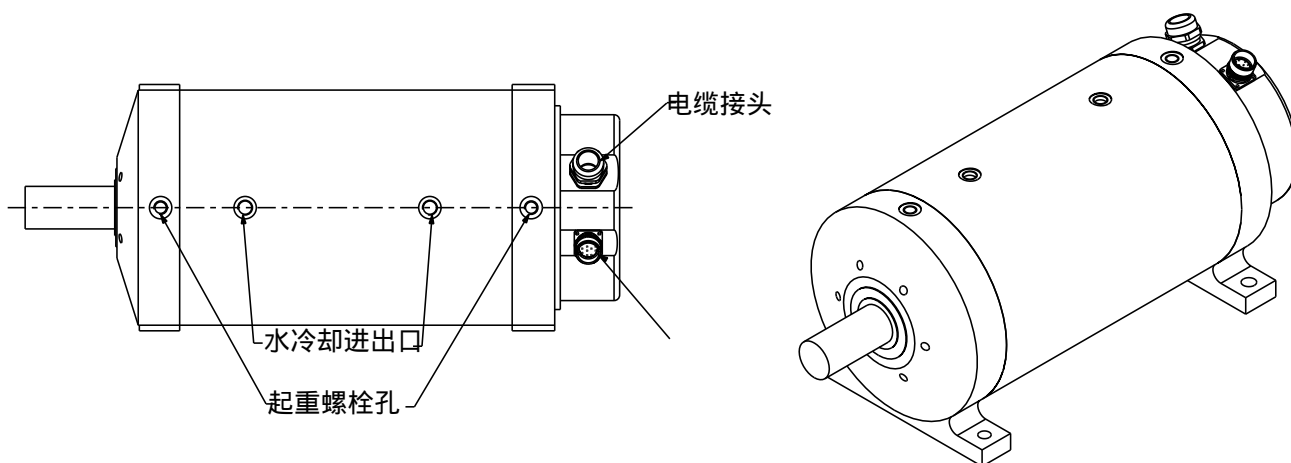
标准热保护和旋转变压器反馈



功率	Up to 230KW
转速	Up to 45000
弱磁运行	依据驱动器的不同性能
安装	Flange B3
防护	标准IP40
冷却方式	水冷
电压供应	400 VAC
连接	<ul style="list-style-type: none"> •1.2米散线以及热保护 •连接反馈传感器的信号
隔离的定子绕组	Class F in accordance with EN60034-1 (overmolding)
热保护	PTC传感器
动平衡	G1 特性
轴端	标准固体光轴
轴承	钢或陶瓷根据速度和负载
反馈传感器	二级旋转变压器

* **Note:** the motors are designed for horizontal operation. In case of vertical installation, please contact us.

高转速伺服电机MGV系列MGV电机成功地应用于自动化，宇宙空间设备实验台（启动装置、泵、发电机、齿轮箱等），得力于MGV电机能快速响应的操作周期，它能满足不同的仿真状况要求。



电机	驱动器	额定功率	额定扭矩	额定转速	最大速度	额定电流	惯量
		[kW]	[Nm]	[min ⁻¹]	[min ⁻¹]	[A _{rms}]	[kgmm ²]
MGV430BAL	Drive 25/51 - 400	10	7.3	13 100	45 000	24.7	890
MGV430BAI	Drive 35/79 - 400	15.6	6.8	21 900	45 000	35	890
MGV635CAF	Drive 37/57 - 400	15.6	20	7 450	30 000	36.6	3520
MGV635CAD	Drive 55/85 - 400	25	20	11 900	30 000	54.8	3520
MGV840CAR	Drive 24/37 - 400	10	68	1 410	24 000	23.2	18 600
MGV840CAH	Drive 73/114 - 400	32	68	4 500	24 000	72.6	18 600
MGV840CAF	Drive 94/151 - 400	44	66	6 370	24 000	93.8	18 600
MGV840CAD	Drive 123/227 - 400	63	58	10 300	24 000	123	18 600
MGV950CAC	Drive 222/456 - 400	105	200	5 010	20 000	252	63 000
MGV950CAX	Drive 454/821 - 400	175	200	8 350	20 000	454	63 000
MGV970CBX	Drive 542/661 - 400	230	390	5 630	12 000	542	86 600
MGVA50DAC	Drive 154/191 - 400	67	480	1 330	12 000	154	292 000
MGVA50DAB	Drive 230/287 - 400	101	480	2 010	12 000	230	292 000
MGVA50DAA	Drive 439/598 - 400	200	460	4 150	12 000	439	292 000
MGVA50DBB	Drive 470/660 - 400	195	620	3 000	12 000	465.2	292 000



优势

- 提供完整的解决方案
- 系统稳定可靠
- 最优化的系统
- 低噪音

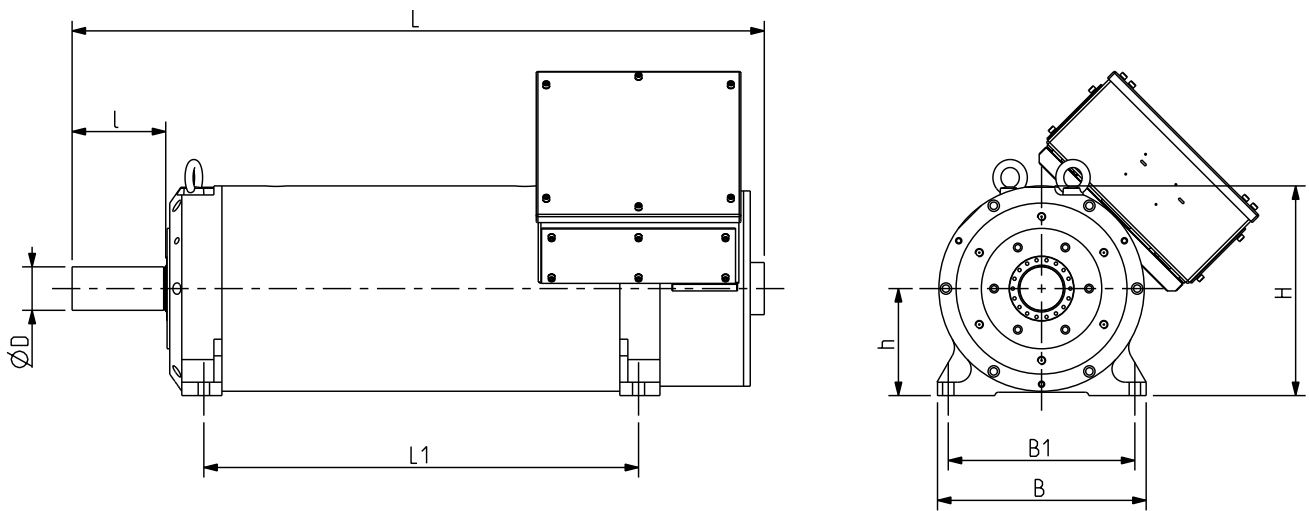
电机	AC890驱动器	额定功率 [kW]	额定扭矩 [Nm]	额定转速 [min ⁻¹]	最大转速 [min ⁻¹]
MGV430BAL	890SD-53230SC	10	7.3	13000	27900
MGV430BAI	890SD-532450D	16	6.8	22000	30000
MGV635CAF	890SD-532450D	16	20	7500	15800
MGV635CAD	890SD-532590D	24	18	13000	20000
MGV635CAD	890SD-432730E	25	20	12000	16000
MGV840CAP	890SD-532450D	16	68	2300	4510
MGV840CAH	890SD-432870E	32	68	4500	9010
MGV840CAF	890SD-433105F	44	66	6400	12000
MGV840CAD	890SD-433145F	63	58	10000	16000
MGV950CAC	890SD-433316G	110	200	5000	10200
MGV950CAX	890SD-433420H	160	170	8900	16000
MGV950CAX	890SD-433520H	180	200	8400	16000
MGV970CBX	890SD-433520H	220	350	6000	10900
MGVA50DAC	890SD-433145F	66	450	1400	2500
MGVA50DAB	890SD-433250G	100	480	2000	3750
MGVA50DAA	890SD-433520H	200	460	4200	7510
MGVA50DBB	890SD-433520H	200	620	3000	5780



电机	Digivex驱动器	额定功率 [kW]	额定扭矩 [Nm]	额定转速 [min ⁻¹]	最大速度 [min ⁻¹]
MGV430BAL	DIGIVEX 32/64	9.7	6.9	13000	45000
MGV430BAI	DIGIVEX 50/80	16	6.8	22000	45000
MGV635CAF	DIGIVEX 50/80	16	19	7600	30000
MGV635CAD	DIGIVEX 100/120	25	20	12000	30000
MGV840CAP	DIGIVEX 50/80	16	66	2300	24000
MGV840CAH	DIGIVEX 100/120	32	66	4600	24000
MGV840CAF	DIGIVEX 150	44	66	6400	24000
MGV840CAD	DIGIVEX 300	63	58	10000	24000
MGVA50DAC	DIGIVEX 300	67	480	1300	12000



详细尺寸



电机	Dimensions [mm]								重量 [kg]
	L	L1	B	B1	H	h	l	ØD	
MGV430	376	225	150	125	150	80	50	24	33
MGV635	444	275	160	140	170	90	58	32	50
MGV840	531	334	220	190	217	112	80	38	100
MGV950	1050	496	290	254	295	160	110	48	250
MGV970	1250	658	290	254	295	160	110	42	270
MGVA50	1300	650	312	277	313	160	140	65	400

Order Code

MGV Series

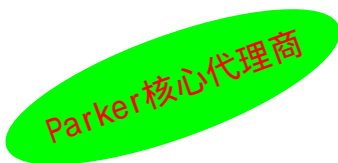
	1	2	3	4	5	6	7	8	9
订购示例	MGV	840	CAE	A	B3	L	R	1	000

1	电机类型	
	MGV	水冷高速电机
2	规格	
	430	
	635	见驱动器相关
	840	
	...	
3	扭矩/转速特性	
	BAL	
	BAI	见驱动器相关
	CAF	
	...	
4	反馈传感器	
	A	旋转变压器
	K	模拟量编码器
5	安装	
	B3	水平安装
6	设计	
	L	高速
	H	非常高速
	X	极高速
7	Fix Code	
	R	
8	电气连接	
	1	动力电缆1.2 m,ptc和连接器(标准编码器信号)
	6	接线盒
9	Interface	
	000	标准电机
		根据客户要求定制

We reserve the right to make technical changes. The data correspond to the technical state at the time of printing.
© 2012 Parker Hannifin Corporation.
All rights reserved.

192-063002N3

December 2012



杭州摩森机电科技有限公司

自动化系统集成

地址：杭州市滨江区聚园路8号创海基地
D503室

电话：0571-86622450

传真：0571-86625450

网址：www.hzmosen.com